

Discreet IP Camera

SY-DIS-LLB

The Synectics Discreet IP Camera matches great picture performance with a unique form factor for monitoring where very limited installation space is available.



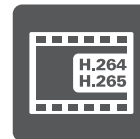
The Synectics Discreet IP Camera’s unique split design is suitable for casino tables, cashier counters, hotel registration desks, and locations where a circumspect profile is essential.

The camera head and its encoder are connected via a standard RJ-12 cable, meaning that, disconnecting them allows for easier installation.

Equipped with an HD Sony progressive scan CMOS sensor that provides outstanding video resolution and the capability to stream H.264 and H.265. The Discreet IP Camera provides Full HD streaming with HDR.

Its HDR engine delivers low noise, high-quality images without compromise under extremely low light environments.

ONVIF Profile G, M, S, and T compliance ensures easy set-up.



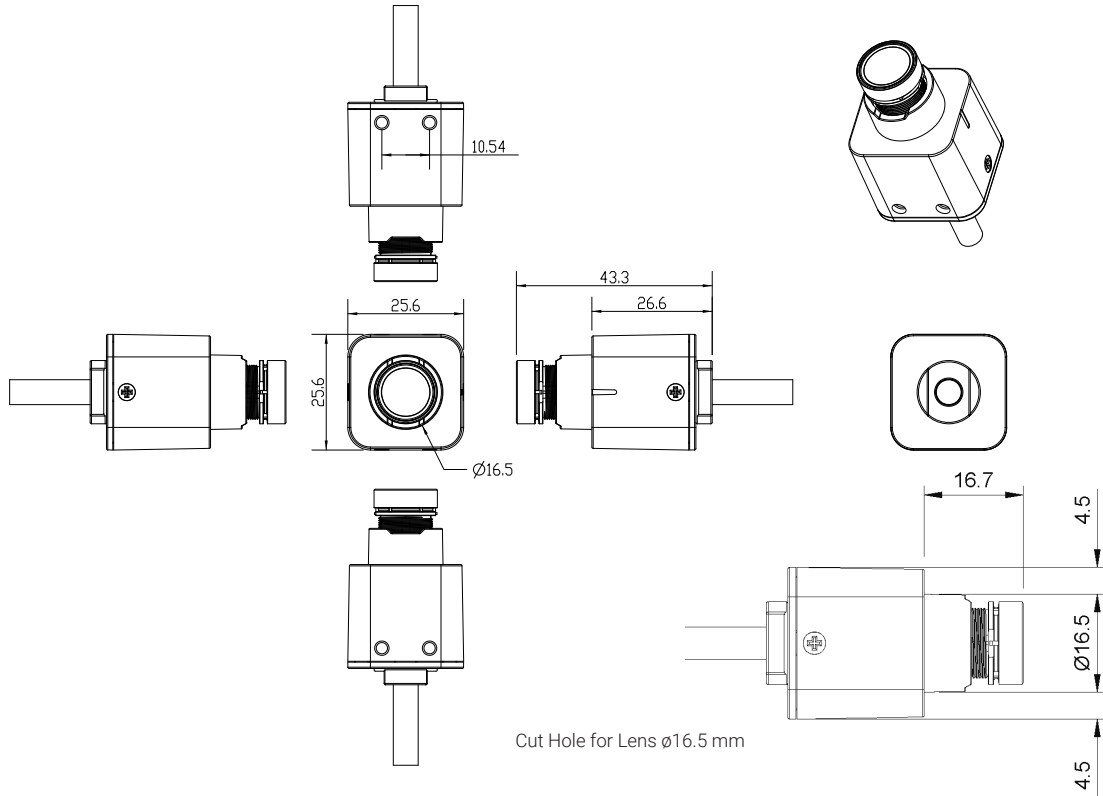
Specifications

CAMERA		SYDIS-LLB
Image Sensor	HD Sony 1/2.8" Progressive CMOS	
Effective Pixels	1920 (H) x 1080 (V)	
Resolution	H.265/H.264/MJPEG @ 1080P	
Min Illumination Color	0.22 lux	
Min Illumination Black and White	N/A	
Shutter Speed	1 ~ 1/10000 Second	
LENS		
Lens Mount	N/A	
Lens	Fixed Lens 2.8 mm	
FOV	112° (Horizontal); 61.9° (Vertical)	
f Number	F2.0	
P Iris	Y	
Focus Mode	N/A	
Digital Zoom	10x	
PTZ OPTIONS		
Pan Travel	N/A	
Tilt Travel	N/A	
Manual Speed	N/A	
Presets	N/A	
Preset Accuracy	N/A	
Preset Speed	N/A	
Sequence	N/A	
Auto Pan	N/A	
Cruise	N/A	
Proportional Pan/Tilt	N/A	
Home Function	N/A	
Auto Flip	N/A	
Image Rotation	Mirror / 0° / 90° / 180° / 270°	
STREAMING OPTIONS		
Compression	MJPEG / H.265 / H.264	
ONVIF Profile	G / M / S / T	
Stream*2 HDR On	Stream1: 1080P @ 30fps, Stream 2: 720p @ 30fps	
Stream*2 HDR Off	Stream 1: 1080P @ 30fps, Stream 2: 720p @ 30fps / Stream 1: 720P @ 60fps, Stream 2: 720p @ 60fps	
Min/Max Bitrate	64 kb/s to 20.48 Mb/s	
Max Number Unicast Streams	15	

OPERATION	
ICR	N/A
LED Numbers	N/A
LED Distance	N/A
White Balance ^{*1}	Auto / ATW / Smart / One Push / Smart One Push / Manual
NR	3D / 2D / Color
BLC	On / Off
WDR	True WDR (120dB)
DIS / EIS	N/A
Motion Detection	On / Off / Schedule
Privacy Mask Type	8 Colors / 5 sets
Tamper Alarm	On / Off / Schedule
Audio Type	N/A
Audio In	N/A
Audio Out	N/A
Audio Sample Rate	N/A
Analog Out	N/A
Heater	N/A
Fan	N/A
Alarm Input	1 Set 5V 10kΩ Pull Up
Alarm Output	2 Set Photo Relay Output 300V DC/AC
Event Notification	HTTP / FTP / SMTP
SD Card Support	microSDXC 1TB Support
Ethernet Connector	RJ-45 Cable
Sensor Unit Connector (Camera module to encoder module)	RJ12
Power Connector	2 Pin Terminal Block
I/O connector	4 Pin Terminal Block
Protocol	ARP, PPPoE, IPv4/v6, ICMP, IGMP, QoS, TCP, UDP, DHCP, UPnP, SNMP, SMTP, RTP, RTSP, HTTP, HTTPS, FTP, NTP, DDNS, ONVIF G, ONVIF M, ONVIF S, ONVIF T
Security	User Authentication / HTTPS / IP Filter / IEEE 802.1X
ENVIRONMENTAL	
Operating Temperature	-30°C ~ 55°C (-4°F ~ 140°F)
Storage Temperature	-20°C ~ 70°C (-4°F ~ 158°F)
Humidity	10% ~ 90%, No Condensation
Vandal Resistant	N/A
GENERAL	
Power ^{*2}	PoE(802.3af) / DC12V
Power Priority 1	PoE
Power Priority 2	DC
Power Priority 3	N/A
Power Failover	PoE to DC
PoE Classification	Class 0
Power Consumption (Total Unit)	PoE: 5.28W max DC: 4.56W max
Dimensions (W x D x H)	Encoder Module: 59 x 91 x 28 mm / 2.23" x 3.58" x 1.1" Camera Module: 26 x 43 x 26 mm / 1" x 1.7" x 1" Connector Cable: 1.5 m
Weight	230 g / 0.5 lbs
Certificates	CE / FCC

*1 Features are related to the firmware version. Please contact your Synectics representative for more details. *2 Maximum permissible resolution, bit-rate and frame-rate will be reduced dependent on the configuration of the primary stream.

Camera Module



Encoder Module

