

2MP Low Light IP PTZ Dome Camera

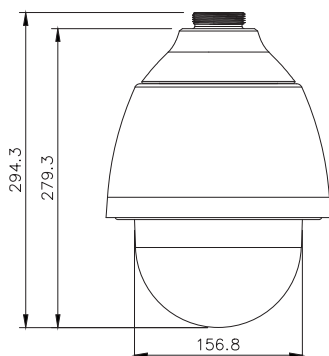
SY-DPTZ30E-S-LLU

The Synectics Low Light PTZ camera matches great picture performance with the resilience of an external housing for all conditions.



The Synectics 2MP Full HD multi-stream PTZ dome IP cameras are equipped with a Sony Exmor™ progressive scan CMOS sensor providing outstanding video resolution.

The PTZ dome provides 1080p HD 50/60fps streaming or true WDR at 25/30fps. Coupled with a 30x AF zoom lens, it is capable of viewing subjects over long distances with ease, and streaming both H.264 and H.265 simultaneously. This dome camera is the ideal choice for locations where multiple views are required in any environment.



HD 1080P	REAL TIME	ONVIF G M S T	30x ZOOM
60 FPS	LOW LIGHT	IP66 RATED	BACKFILLING
H.264 H.265	TWDR	IK10	POWER FAILOVER
REMOTE AF / ZOOM	A·F	AAC	INTELLIGENT EDGE RECORDING

Specifications

CAMERA		SY-DPTZ30E-S-LLU
Image Sensor		1/2.8" Sony Progressive CMOS
Effective Pixels		1945 (H) x 1097 (V)
Resolution		H.265 / H.264 / MJPEG Full HD 1080p / SXGA / HD 720P / XGA / SVGA / D1 / VGA / CIF / QVGA
Min Illumination Color		0.01 Lux
Min Illumination B&W		0.002 Lux
Shutter Speed		1 ~ 1/10000 sec
LENS		
Lens Mount		N/A
Lens		30x AF / 4.3-129 mm
FOV		59° (Wide); 2.4° (Tele)
F Number		F1.6 (Wide)
P Iris		Y
Focus Mode		Auto, Push AF, Manual, Zoom Trigger
Digital Zoom		10x
PTZ OPTIONS		
Pan Travel		360° Endless
Tilt Travel		-10° ~ 190°
Manual Speed		0.1° ~ 90° / Sec
Presets		256
Preset Accuracy		0.225°
Preset Speed		Pan: 9° ~ 400° / Sec, Tilt: 7° ~ 300° / Sec
Sequence		8
Auto Pan		4
Cruise		8
Proportional Pan /Tilt		On / Off (Pan and tilt speed proportional to zoom ratio)
Home Function		Preset / Sequence / Auto Pan / Cruise
Auto Flip		Mechanical / Off
Image Rotation		Mirror / 0° / 90° / 180° / 270°
STREAMING OPTIONS		
Compression		H.265 / H.264 / MJPEG
ONVIF Profile		G / M / S / T support
Stream		NTSC: H.265/H.264 1080p @60fps + H.265/H.264 720p @30fps PAL: H.265/H.264 1080p @50fps + H.265/H.264 1280 X 1024 @25fps or NTSC: H.265/H.264 1080p @30fps + H.265/H.264 1080p @30fps PAL: H.265/H.264 1080p @25fps + H.265/H.264 1080p @25fps
Stream 1 Max Resolution and Max FPS		NTSC: H.265/H.264 1080p @60fps PAL: H.265/H.264 1080p @50fps
Stream 2 Max when Stream 1 is set to Max Resolution and FPS		NTSC: H.265/H.264 720p @30fps PAL: H.265/H.264 1280 X 1024 @25fps
Stream 1 "Standard" Resolution and FPS		NTSC: H.265/H.264 1080p @30fps PAL: H.265/H.264 1080p @25fps
Stream 2 Max when Stream 1 is set to "Standard" Resolution and FPS		NTSC: H.265/H.264 1080p @30fps PAL: H.265/H.264 1080p @25fps
Min/Max Bitrate		64 / 10240 (kbps)
Max Number Unicast Streams		16

OPERATION	
ICR	Auto / On / Off / Smart
LED Numbers	N/A
LED Distance	N/A
White Balance*1	Auto / ATW / Smart / One Push / Smart One Push / Manual
NR	2D / 3D / Color
BLC	Y
WDR	True WDR (Up to 120 dB)
DIS / EIS	Y
Motion Detection	On / Off / Schedule
Privacy Mask Type	8 colors / 5 sets
Tamper Alarm	N/A
Audio Type	Two-way audio
Audio In	G.711 / G.726 / AAC / LPCM
Audio Out	G.711 / G.726 / AAC / LPCM
Audio Sample Rate	ACC: 48000 / Other: 8000
Analog Out	Y
Heater	Y
Fan	Y
Alarm Input	4 Sets / 5V 10kΩ Pull Up
Alarm Output	2 Set / Relay output, max. 120mA DC 400V / 120mA AC 250V
Event Notification	HTTP / FTP / SMTP
Synectics Intelligent Edge Recording*1	Y
Onboard Storage	Up to 60 Seconds (Synectics Intelligent Edge Recording only)
SD Card Support	micro SD / SDHC / SDXC Card Support
Ethernet Connector	RJ-45 Solid
Power Connector	3 Pin terminal block
I/O Connector	9 of 14-pin terminal block
Protocol	ARP, PPPoE, IPv4/v6, ICMP, IGMP, QoS, TCP, UDP, DHCP, UPnP, SNMP, SMTP, RTP, RTSP, HTTP, HTTPS, FTP, NTP, DDNS, ONVIF G, ONVIF M, ONVIF S, ONVIF T
Security	User Authentication / HTTPS / IP Filter / IEEE 802.1X
ENVIRONMENTAL	
Operating Temperature	-40°C ~ 50°C (-40°F ~ 122°F)
Storage Temperature	-20°C ~ 70°C (-4° ~ 158° F)
Humidity	10% ~ 90%, No Condensation
Vandal Resistant	IK10
IP Rating	IP66
GENERAL	
Power*2	AC24V / PoE(802.3at)
Power Priority 1	AC24V
Power Priority 2	PoE
Power Failover	N/A
PoE Classification	Class 4
Power Consumption (Total Unit)	Max: 25.4W
Dimensions	Ø 210 x 279 mm / Ø 8.27" x 10.98" (w/sunshield)
Weight	2.9 kg (6.39 lb) w/ sunshield
Certification	CE / FCC
REPLACEMENT PARTS	
SY-DPTZE-CC	Clear bubble and trim ring
SY-DPTZE-SC	Smoked bubble and trim ring

NOTE: *1 Features are related to the firmware version. Please contact your Synectics representative for more details. *2 If multiple power inputs are to be used simultaneously on the camera (such as AC power + PoE or DC power + PoE) all power supplies must be isolated power supplies.

PRODUCT		Description	Indoor / Internal Only	Outdoor / External ³
SY-CM-P		Standard Wall / Pendant Mount		✓
SY-CM-MP		Mini Wall / Pendant Mount		✓
SY-CM-T25		25cm Pole	✓	
SY-CM-T50		50cm Pole	✓	
SY-CM-T100		100cm Pole	✓	
SY-CM-STA		15NTP screw thread to Synectics brackets adapter (provided with each camera)		✓
SY-CM-WMB		Wall Mount Box		✓
SY-CM-CWM		Corner Mount Box		✓
SY-CM-PMB		Pole Mount Box		✓



³ Camera and accessories can be used for internal configuration.

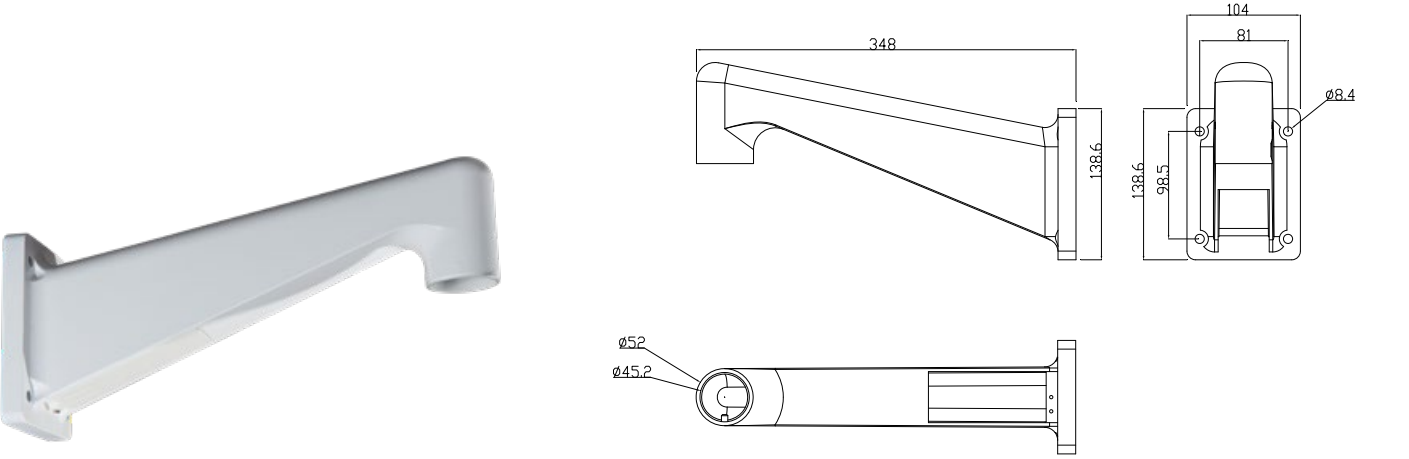
The following are required in combination with other accessories for mounting requirements.

PRODUCT	SY-CM-P ⁴	SY-CM-MP ⁴	SY-CM-T25 ⁴	SY-CM-T50 ⁴	SY-CM-T100 ⁴	SY-CM-STA	SY-CM-WMB	SY-CM-CWM	SY-CM-PMB
Wall Mounting	✓	✓					✓	✓	✓
Pole Mounting			✓	✓	✓				
Non-Synectics Bracketry						Provided-Not Required			

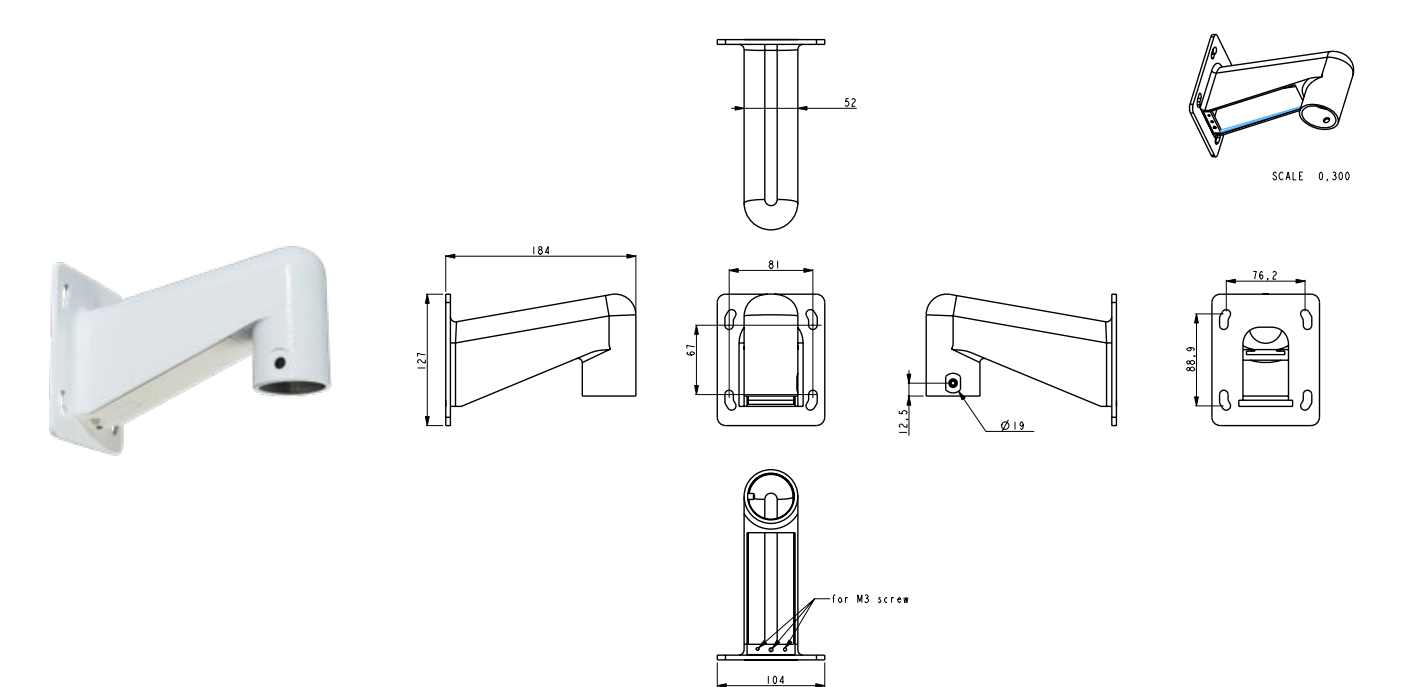
⁴ Marked products require the SY-CM-STA adapter which is provided with each camera.

Accessories

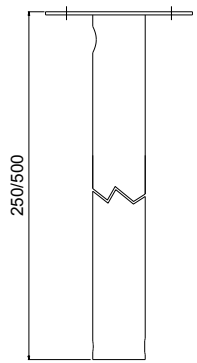
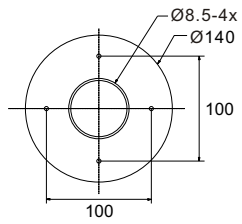
STANDARD WALL MOUNT — SY-CM-P	
Dimensions (L x W x D)	348 x 104 x 138.6 mm / 13.70 x 4.09 x 5.45"
Weight	1.5 kg / 3.3 lbs



MINI WALL MOUNT — SY-CM-MP	
Dimensions (L x W x D)	184 x 104 x 127 mm / 7.24" x 4.09 x 5"
Weight	0.6 kg / 1.32 lbs

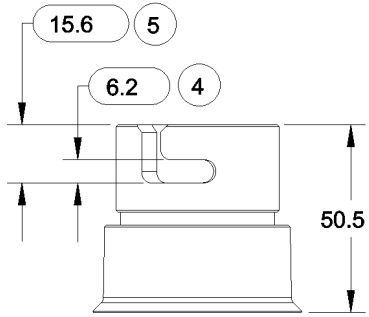
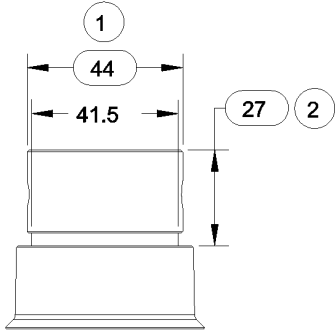
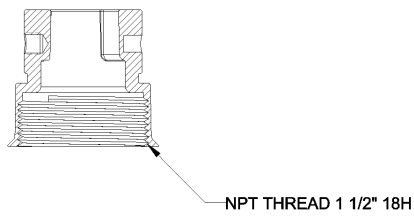
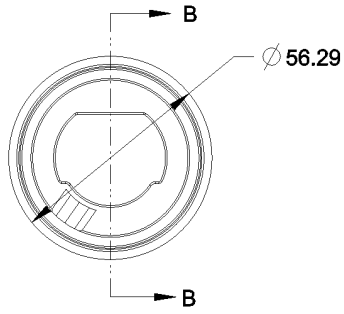


STRAIGHTTUBE — SY-CM-T25 / T50 / T100	
Height	250 mm / 9.8 " 500 mm / 19.7 " 1000 mm / 39.37 "
Diameter	50 mm / 2 "
Weight	1.0 kg (2.2 lbs) / 1.8 kg (4.0 lbs)



Unit: mm

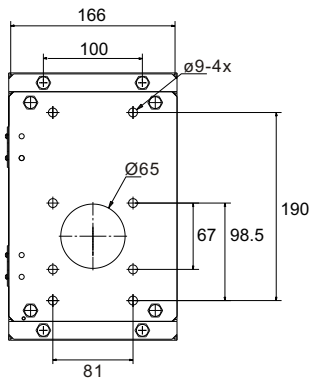
15NTP SCREW THREAD TO SYNECTICS BRACKET ADAPTER — SY-CM-STA	
Dimensions	55 x 52 mm / 2.16 x 2.04 "



WALL MOUNT BOX — SY-CM-WMB

Dimensions (L x W x D) 270 x 166 x 95 mm / 10.62 x 6.53 x 3.74"

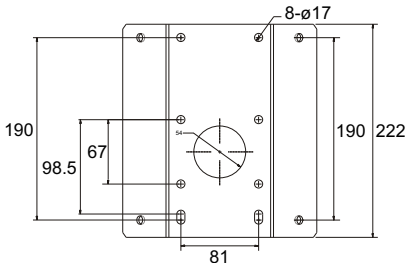
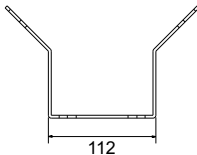
Weight 2.2 kg / 4.9 lbs



CORNER MOUNT BOX — SY-CM-CWM

Dimensions (L x W x D) 222 x 204 x 117 mm / 8.74 x 8.03 x 4.60"

Weight 2.0 kg / 4.4 lbs



POLE MOUNT BOX — SY-CM-PMB

Dimensions (L x W x D) 270 x 166 x 155 mm / 10.62 x 6.53 x 6.10"

Weight 3.2 kg / 7.1 lbs

