

# 2MP Low Light IP Vandal Resistant Dome Camera

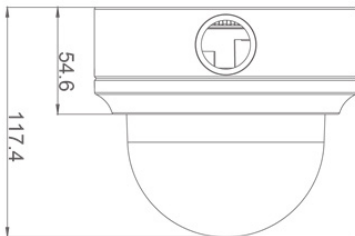
## SY-VRD3-S-LLB / SY-VRD2.4-S-LLB\*1

The Synectics Low Light Vandal Resistant Dome Camera matches great picture performance with compact aesthetics.



The Synectics 2MP Full HD multi-stream fixed dome IP camera is equipped with a Sony Exmor™ progressive scan CMOS sensor providing outstanding video resolution, and the capability to stream H.264 and H.265 simultaneously.

The vandal resistant dome provides full 1080p HD 50/60fps streaming or true WDR at 25/30fps, along with a 3x AF zoom lens (optional 2.4x available). ONVIF Profile S, T and G compliance ensures easy set up while IP66 and IK10 guarantee optimum performance under challenging conditions.




# Specifications

CERTIFICATIONS / RATINGS		[OPTIONS]
KC Certification	Clause 3, Article 58-2 of Radio Waves Act.	
CAMERA		SY-VRD3-S-LLB / SY-VRD2.4-S-LLB*1
Image Sensor	2MP Sony 1/2.8" Progressive CMOS	
Effective Pixels	1945 (H) x 1097 (V)	
Resolution	H.265/H.264/MJPEG- Full HD 1080p / SXGA / HD 720P / XGA / SVGA / D1 / VGA / CIF / QVGA	
Min Illumination Color	0.02 Lux	
Min Illumination B&W	0.001 Lux	
Shutter Speed	1 ~ 1/10000 sec	
LENS	SY-VRD3-S-LLB	SY-VRD2.4-S-LLB*1
Lens Mount	N/A	
Lens	3x AF / 3-9mm	2.4x AF / 9-22mm
FOV	110° (Wide); 36° (Tele)	34.1° (Wide); 14.4° (Tele)
F Number	F1.3 (Wide), F2.2 (Tele)	F1.6 (Wide), F2.3 (Tele)
P Iris	Y	
Focus Mode	Push AF, Zoom Trigger AF, Manual	
Digital Zoom	10x	
PTZ OPTIONS		
Pan Travel	N/A	
Tilt Travel	N/A	
Manual Speed	N/A	
Presets	N/A	
Preset Accuracy	N/A	
Preset Speed	N/A	
Sequence	N/A	
Auto Pan	N/A	
Cruise	N/A	
Proportional Pan / Tilt	N/A	
Home Function	N/A	
Auto Flip	N/A	
Image Rotation	Mirror / 0° / 90° / 180° / 270°	
STREAMING OPTIONS		
Compression	H.265 / H.264	
ONVIF Profile	S / T / G support	
Streaming Support / Encoding Channels	Up to Quad Stream support	
Stream*	NTSC: H.265/H.264 1080p @60fps + H.265/H.264 720p @30fps PAL: H.265/H.264 1080p @50fps + H.265/H.264 1280 X 1024 @25fps or NTSC: H.265/H.264 1080p @30fps + H.265/H.264 1080p @30fps PAL: H.265/H.264 1080p @25fps + H.265/H.264 1080p @25fps	
Stream 1 Max Resolution and Max FPS	NTSC: H.265/H.264 1080p @60fps PAL: H.265/H.264 1080p @50fps	
Stream 2 Max when Stream 1 is set to Max Resolution and FPS	NTSC: H.265/H.264 720p @30fps PAL: H.265/H.264 1280 X 1024 @25fps	
Stream 1 "Standard" Resolution and FPS	NNTSC: H.265/H.264 1080p @30fps PAL: H.265/H.264 1080p @25fps	
Stream 2 Max when Stream 1 is set to "Standard" Resolution and FPS	NNTSC: H.265/H.264 1080p @30fps PAL: H.265/H.264 1080p @25fps	
Min/Max Bitrate	64 / 20480 (kbps)	
Max Number Unicast Streams	16	

\* MJPEG streaming also supported, maximum resolution is 1280 x 1024

OPERATION	
ICR	Auto / On / Off / Smart
LED Numbers	N/A
LED Distance	N/A
White Balance*2	Auto / ATW / Smart / One Push / Smart One Push / Manual
NR	3D / 2D / Color
BLC	On / Off
WDR	True WDR (120dB)
DIS / EIS	N/A
Motion Detection	On / Off / Schedule
Privacy Mask Type	8 Colors / 5 Sets
Tamper Alarm	On / Off / Schedule
Audio Type	Line in / Line Out, 5 of 9 Pin Terminal Block
Audio In	G.711 / G.726 / AAC / LPCM
Audio Out	G.711 / G.726 / AAC / LPCM
Audio Sample Rate	AAC: 48000 / Others: 8000
Analog Out	Y (Requires optional part SY-IPCA-BNC =>Rev.1)
Heater	Y
Fan	N/A
Alarm Input	1 Set, 5V 10kΩ Pull Up
Alarm Output	1 Set, Photo Relay Output 300V DC / AC
Event Notification	HTTP / FTP / SMTP
Synectics Intelligent Edge Recording*2	Y
Onboard Storage	Up to 60 Seconds (Synectics Intelligent Edge Recording only)
SD Card Support	microSDXC 128GB Support
Ethernet Connector	RJ-45 Cable
Power Connector	2 Pin Terminal Block
I/O Connector	4 of 9 Pin Terminal Block
Protocol	ARP, PPPoE, IPv4/v6, ICMP, IGMP, QoS, TCP, UDP, DHCP, UPnP, SNMP, SMTP, RTP, RTSP, HTTP, HTTPS, FTP, NTP, DDNS, ONVIF S, ONVIF G, ONVIF T
Security	User Authentication / HTTPS / IP Filter / IEEE 802.1X

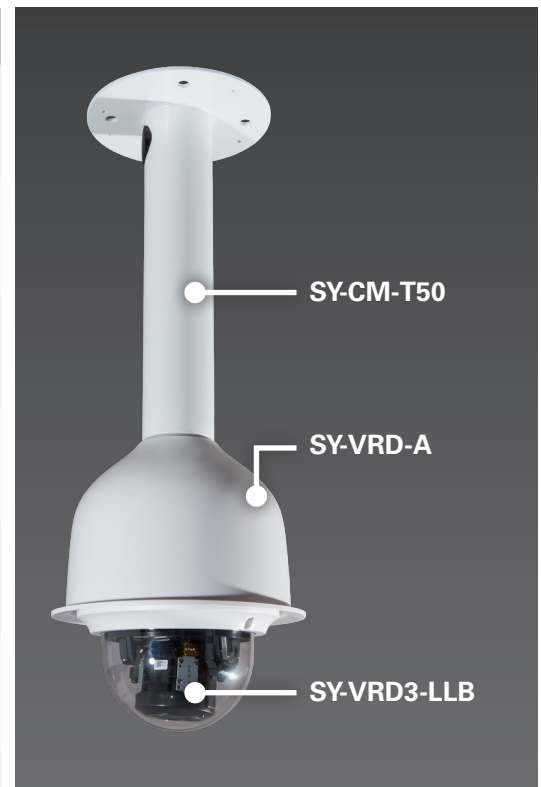
ENVIRONMENTAL	
Operating Temperature	-55°C ~ 55°C (-22° ~ 131°F)
Storage Temperature	-20°C ~ 70°C (-4°F ~ 158°F)
Humidity	10% ~ 90%, No Condensation
Vandal Resistant	IK10
IP Rating	IP66

GENERAL	
Power*3	AC24V / PoE (802.3af) / DC12V
Power Priority 1	AC24V
Power Priority 2	PoE
Power Priority 3	DC12V
Power Failover	AC to DC / DC to AC PoE to DC / DC to PoE AC PoE combination not supported.
PoE Classification	Class 0
Power Consumption (Total Unit)	Max: 11.7W
Dimensions	Ø 133.8 x 117.4 mm / Ø 5.2 x 4.6"
Weight	700 g / 1.54 lb
Certification	CE / FCC

REPLACEMENT PARTS	
SY-VRD-CC	Clear bubble and trim ring
SY-VRD-SC	Smoked bubble and trim ring
SY-VRD-BB	Back housing section only (no bubble, no trim ring, no camera module)

NOTE: \*1 Special order- Minimum Order Quantities apply. \*2 Features are related to the firmware version. Please contact your Synectics representative for more details. \*3 If multiple power inputs are to be used simultaneously on the camera (such as AC power + PoE or DC power + PoE) all power supplies must be isolated power supplies.

PRODUCT	Description	Indoor / Internal Only	Outdoor / External*4
SYVRD-ICM	In Ceiling Mount (Flush Mount Adaptor)	✓	
SYVRD-WM	Indoor Plastic Wall Mount for SYVRD Series	✓	
SYVRD-A	Adaptor to allow Wall / Pendant and Universal connector Mounts		✓
SY-CM-P	Standard Wall / Pendant Mount		✓
SY-CM-MP	Mini Wall / Pendant Mount		✓
SY-CM-T25	25cm Pole	✓	
SY-CM-T50	50cm Pole	✓	
SY-CM-T100	100cm Pole	✓	
SYCM-15NTP	Synectics to 15NTP Universal adaptor		✓
SY-CM-WMB	Wall Mount Box		✓
SY-CM-CWM	Corner Mount Box		✓
SY-CM-PMB	Pole Mount Box		✓



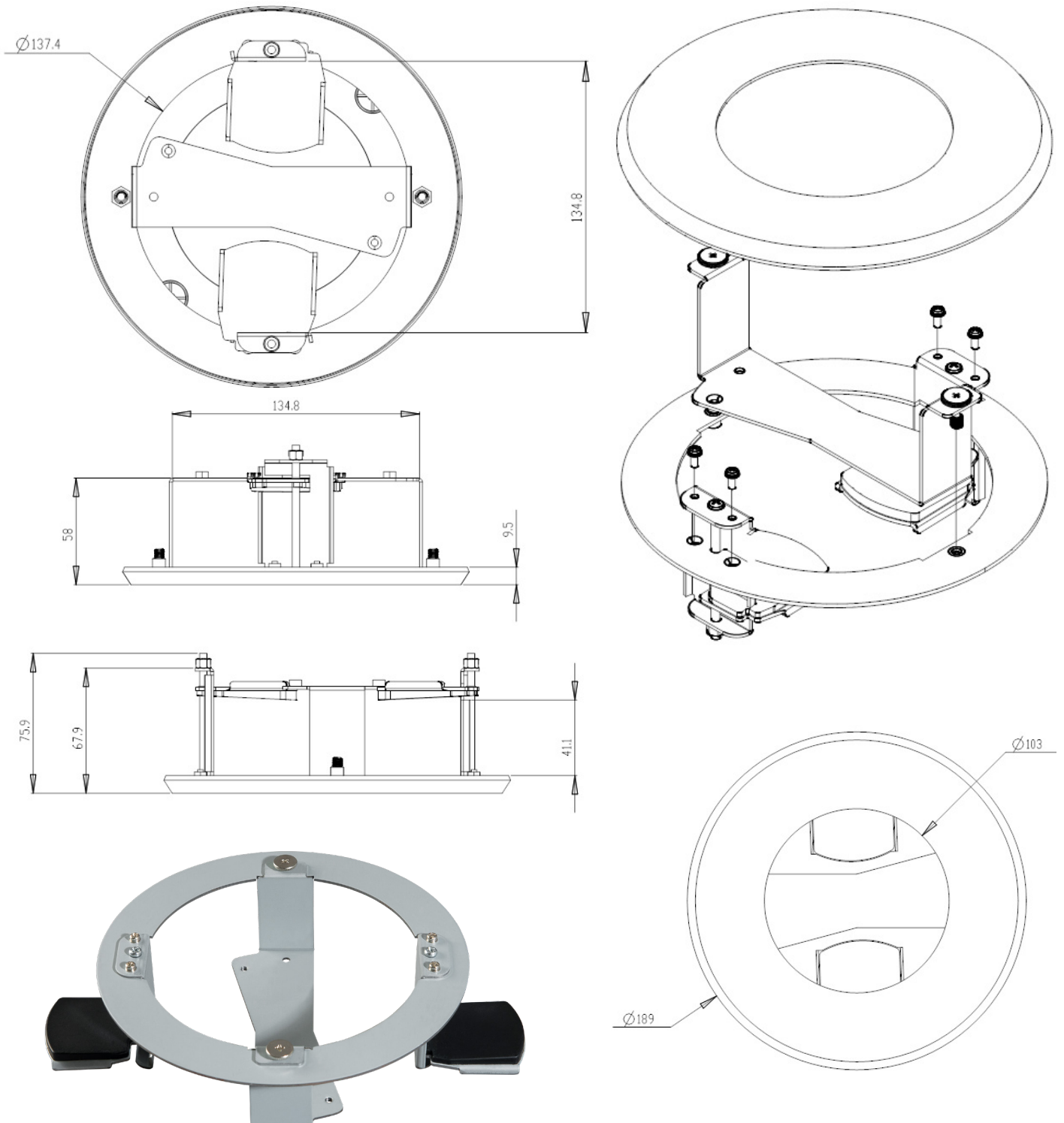
\*4 Camera and accessories can be used for internal configuration.

The following are required in combination with other accessories for mounting requirements.

PRODUCT	SY-VRD-A	SY-CM-P	SY-CM-MP	SY-CM-T25	SY-CM-T50	SY-CM-T100	SY-CM-15NTP	SY-CM-WMB	SY-CM-CWM	SY-CM-PMB
Wall Mounting	Required	✓	✓					✓	✓	✓
Pole Mounting	Required			✓	✓	✓				
Non-Synectics Bracketry	Required						Required			

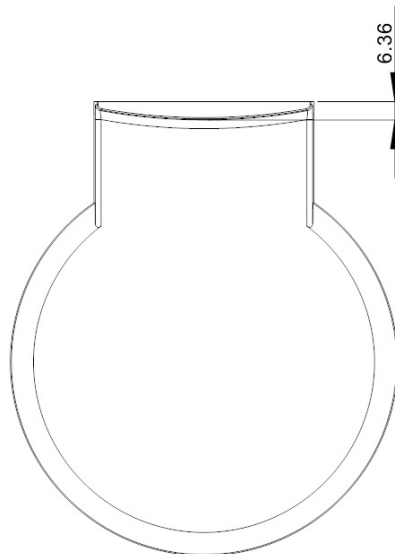
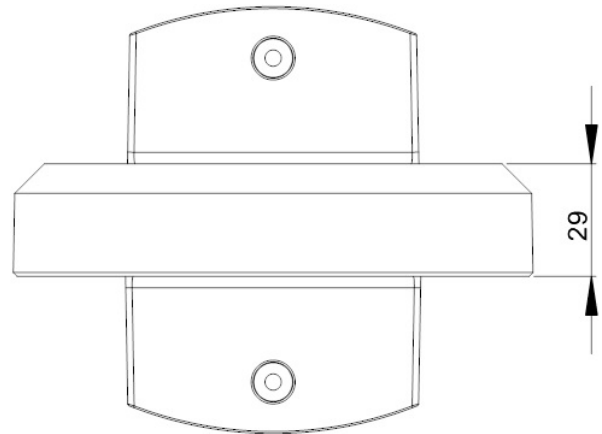
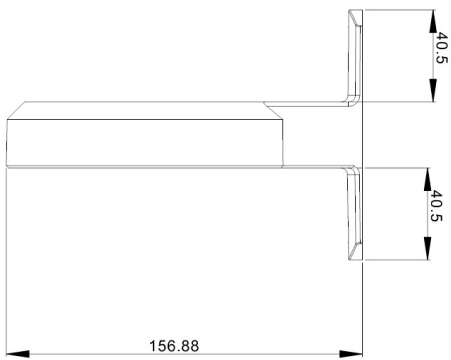
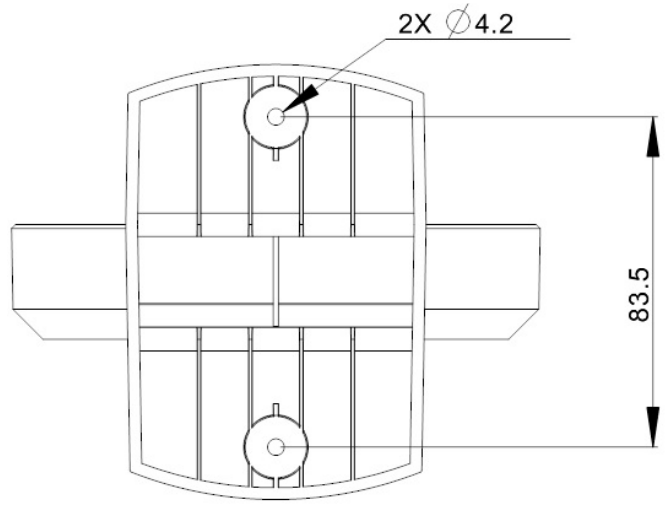
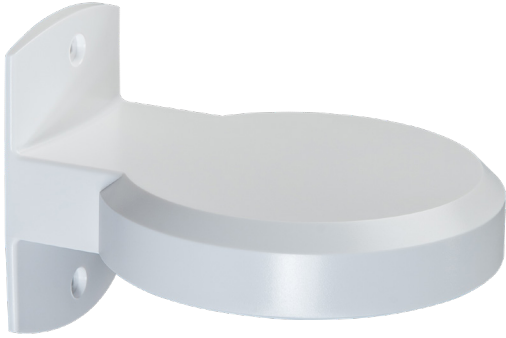
## Accessories

### IN CEILING MOUNT — SY-VRD-ICM

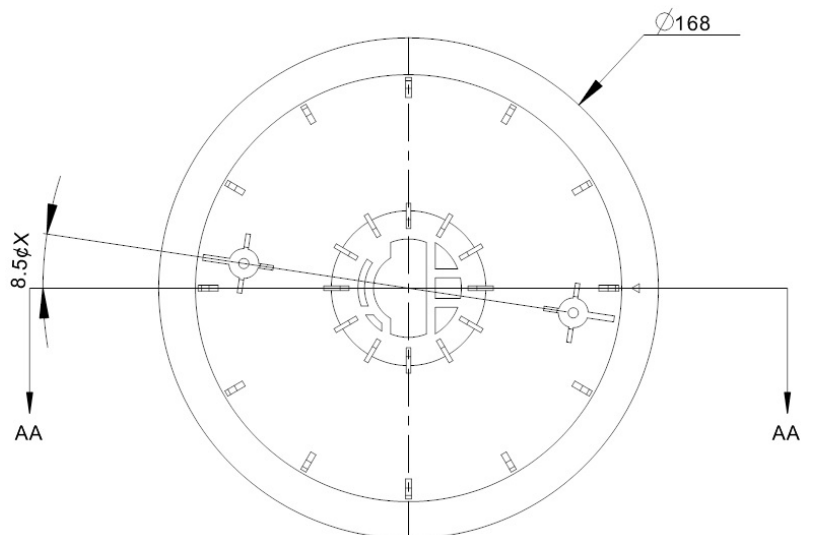
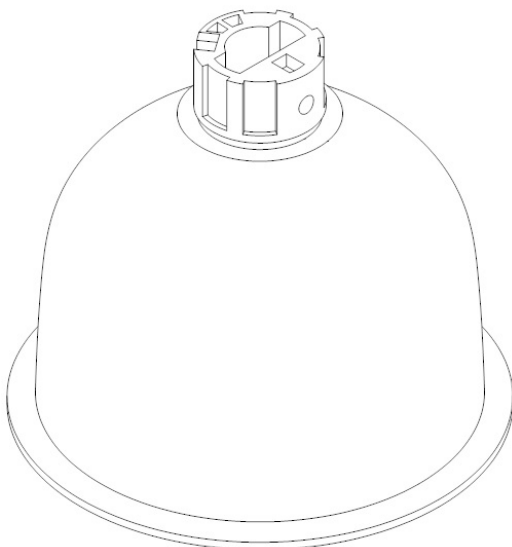
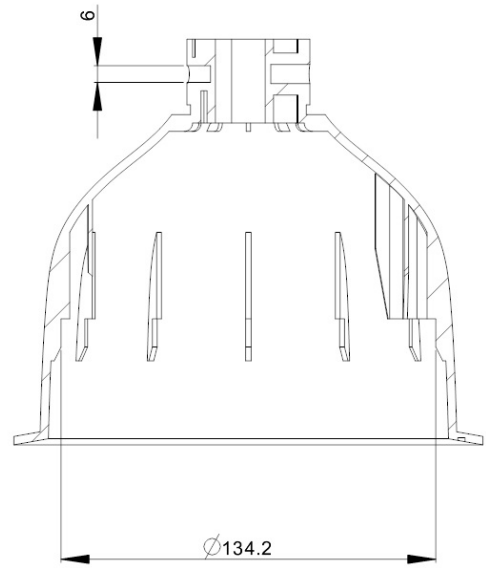
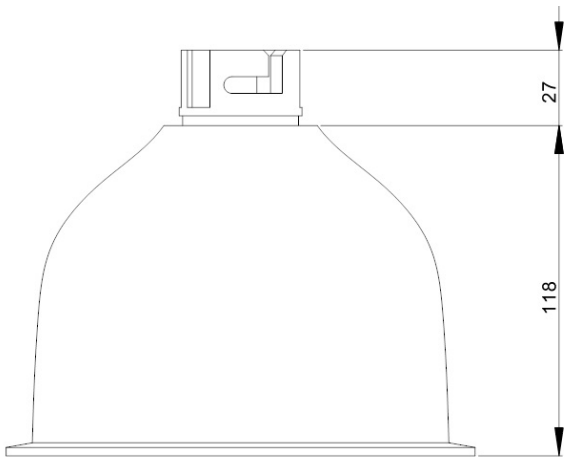


Cut hole size: 160 mm

WALL MOUNT — SY-VRD-WM



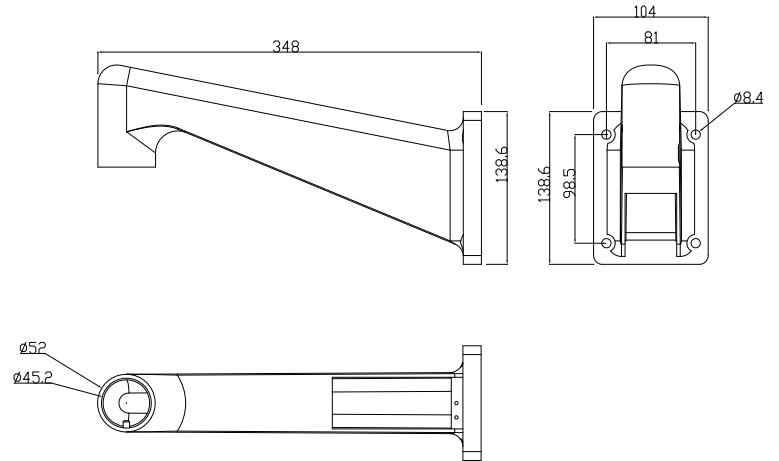
DOME ADAPTOR — SY-VRD-A



**STANDARD WALL MOUNT — SY-CM-P**

Dimensions (L x W x D) 348 x 104 x 138.6 mm / 13.70 x 4.09 x 5.45"

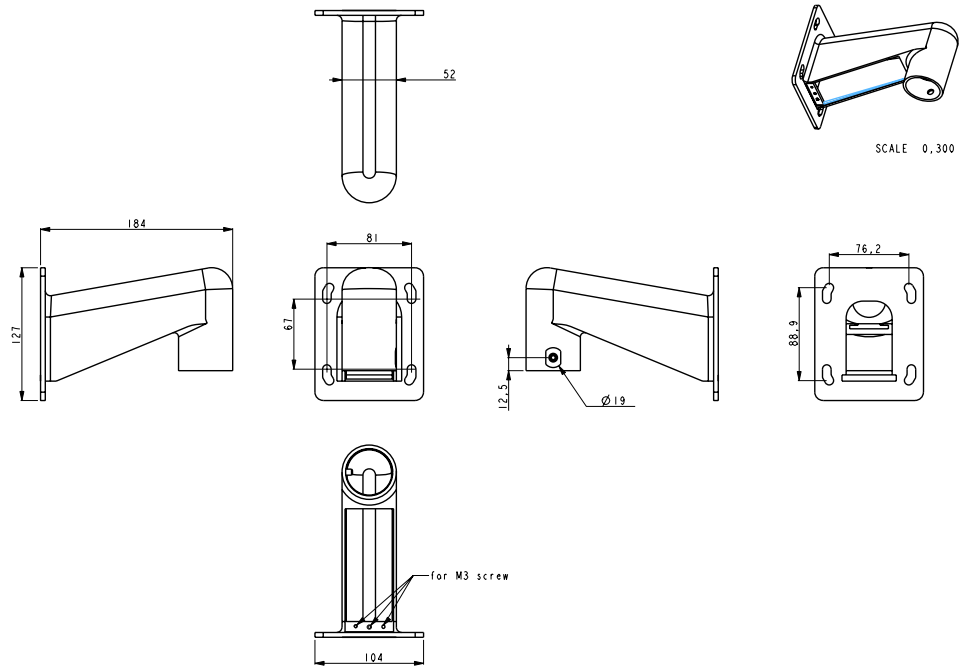
Weight 1.5 kg / 3.3 lbs



**MINI WALL MOUNT — SY-CM-MP**

Dimensions (L x W x D) 184 x 104 x 127 mm / 7.24" x 4.09 x 5"

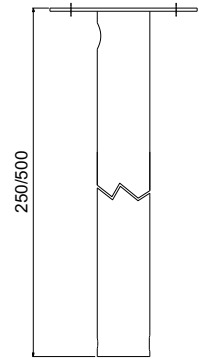
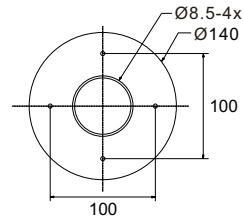
Weight 0.6 kg / 1.32 lbs





**STRAIGHT TUBE — SY-CM-T25 / T50 / T100**

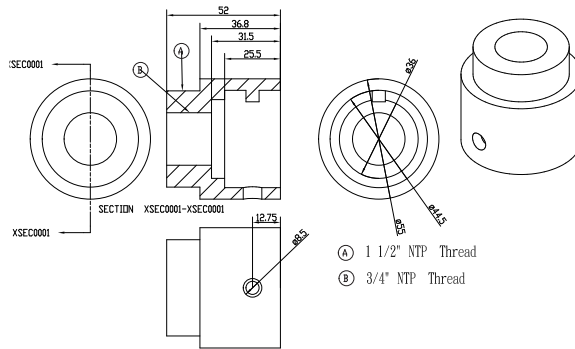
Height	250 mm / 9.8 " 500 mm / 19.7 " 1000 mm / 39.37 "
Diameter	50 mm / 2 "
Weight	1.0 kg (2.2 lbs) / 1.8 kg (4.0 lbs)



Unit: mm

**1.5" NPT MOUNT ADAPTOR COMPATIBLE WITH PELCO CAMERA POLES — SY-CM-15NPT**

Dimensions	Φ55 x 52 mm / 2.16 x 2.04 "
------------	-----------------------------

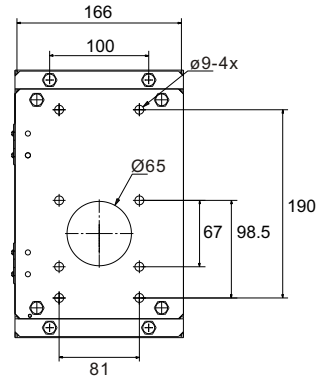
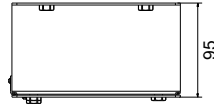


- Ⓐ 1 1/2" NPT Thread
- Ⓑ 3/4" NPT Thread

**WALL MOUNT BOX — SY-CM-WMB**

Dimensions (L x W x D) 270 x 166 x 95 mm / 10.62 x 6.53 x 3.74"

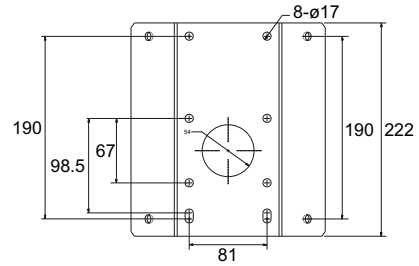
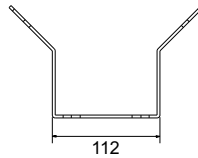
Weight 2.2 kg / 4.9 lbs



**CORNER MOUNT BOX — SY-CM-CWM**

Dimensions (L x W x D) 222 x 204 x 117 mm / 8.74 x 8.03 x 4.60"

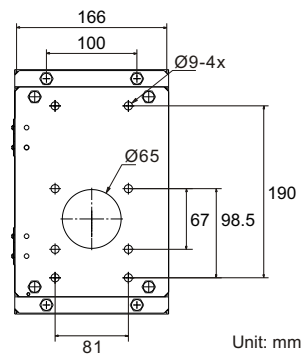
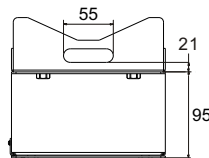
Weight 2.0 kg / 4.4 lbs



**POLE MOUNT BOX — SY-CM-PMB**

Dimensions (L x W x D) 270 x 166 x 155 mm / 10.62 x 6.53 x 6.10"

Weight 3.2 kg / 7.1 lbs



Unit: mm