
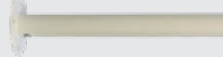
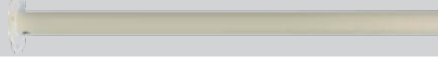



# Universal Camera Accessories

Synectics has a wide range of universal accessories to support our camera range to provide flexibility for customer application.

## Pendant Mounts

The straight tubes are fitted with anti-drop wires. Straight tubes require additional camera mount adaptors, see specific camera datasheets.





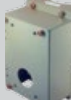
ITEM	PART CODES	
25 cm / 9.84" Straight Tube	SY-CM-T25	
50 cm / 19.68" Straight Tube	SY-CM-T50	
100 cm / 39.37" Straight Tube	SY-CM-T100	
1.5" NPT Mount Adaptor Compatible with Pelco Camera Poles	SY-CM-15NPT	

Available for use with:

SY-PTZ30-LLZ SY-PTZ30E-LLZ  
 SY-VRD3-LLX SY-FEE-XYZ

## Mounts and Adaptors

Wall mounts are fitted with anti-drop wires. They can be fixed directly to a wall, or mounted to a wall box, corner mount or pole mount. Mini wall mount and standard wall mount require additional camera mount adaptors, see specific camera datasheets.

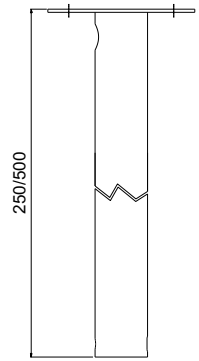
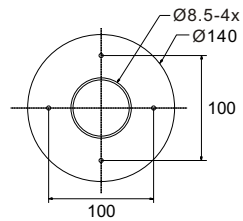
ITEM	PART CODES	
Mini Wall Mount	SY-CM-MP	
Standard Wall Mount	SY-CM-P	
Wall Box	SY-CM-WMB	
Corner Mount	SY-CM-CWM	
Pole Mount	SY-CM-PMB	

Available for use with:

SY-PTZ30-LLZ  
 SY-PTZ30E-LLZ  
 SY-VRD3-LLX

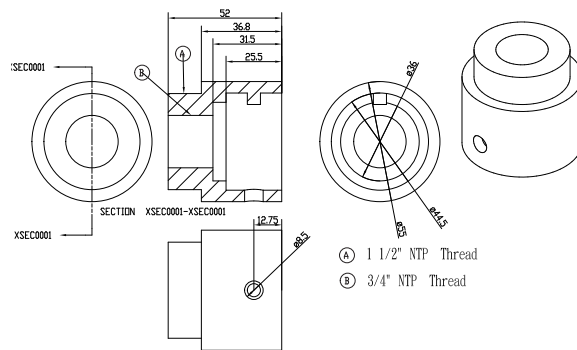
## Additional Information and Diagrams

STRAIGHTTUBE — SY-CM-T25 / T50 / T100	
Height	250 mm / 9.8 " 500 mm / 19.7 " 1000 mm / 39.37 "
Diameter	50 mm / 2 "
Weight	1.0 kg (2.2 lbs) / 1.8 kg (4.0 lbs)



Unit: mm

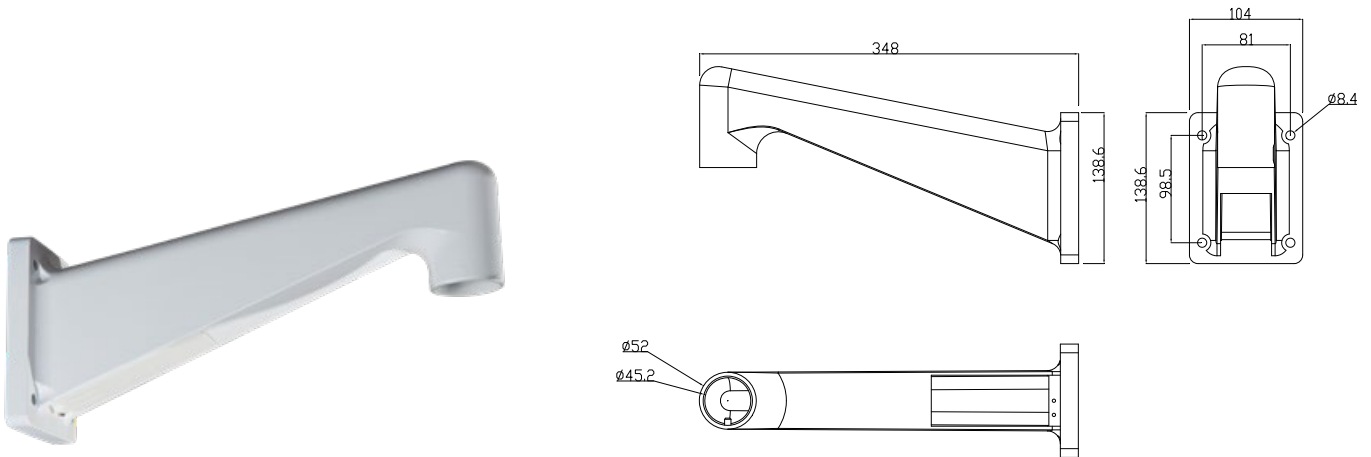
1.5" NPT MOUNT ADAPTOR COMPATIBLE WITH PELCO CAMERA POLES — SY-CM-15NPT	
Dimensions	Φ55 x 52 mm / 2.16 x 2.04 "



**STANDARD WALL MOUNT — SY-CM-P**

Dimensions (L x W x D) 348 x 104 x 138.6 mm / 13.70 x 4.09 x 5.45"

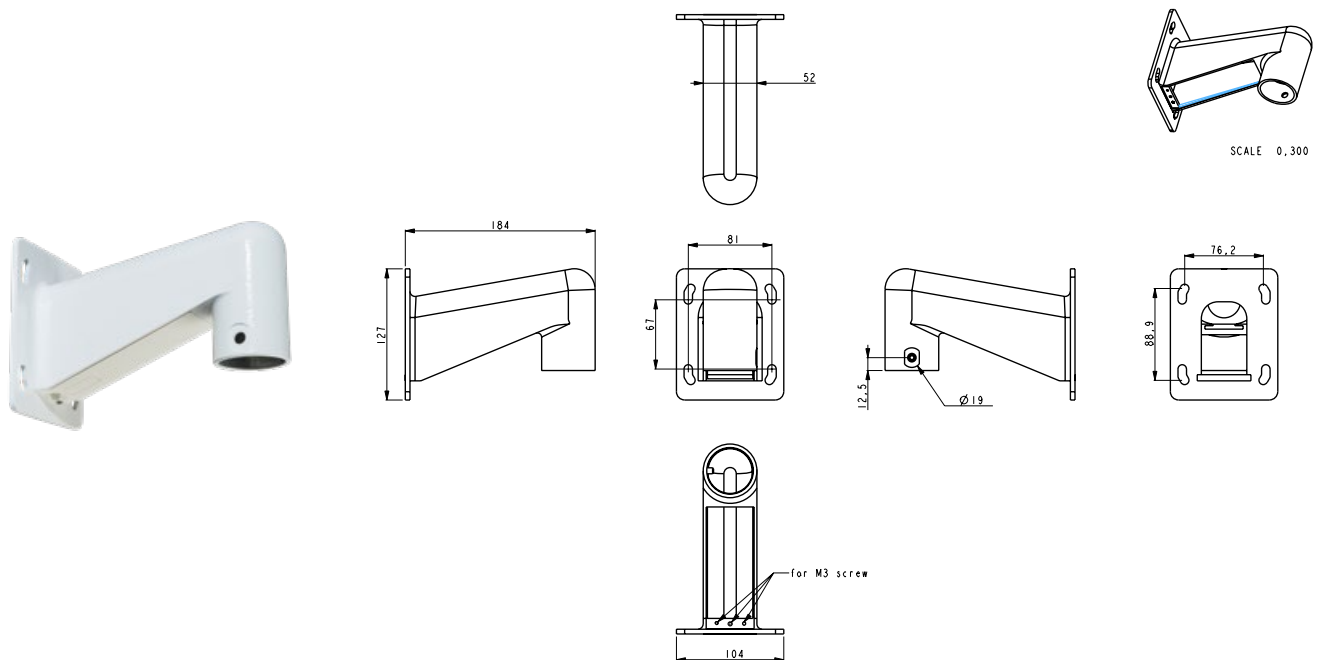
Weight 1.5 kg / 3.3 lbs



**MINI WALL MOUNT — SY-CM-MP**

Dimensions (L x W x D) 184 x 104 x 127 mm / 7.24" x 4.09 x 5"

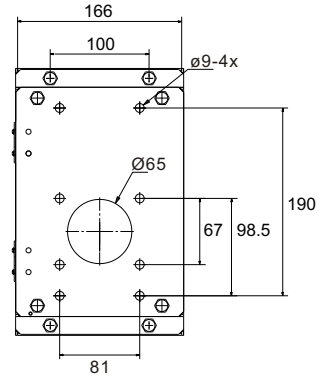
Weight 0.6 kg / 1.32 lbs



**WALL BOX — SY-CM-WMB**

Dimensions (L x W x D) 270 x 166 x 95 mm / 10.62 x 6.53 x 3.74"

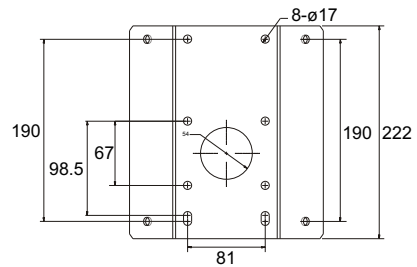
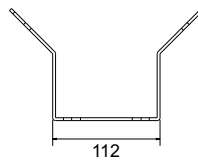
Weight 2.2 kg / 4.9 lbs



**CORNER MOUNT — SY-CM-CWM**

Dimensions (L x W x D) 222 x 204 x 117 mm / 8.74 x 8.03 x 4.60"

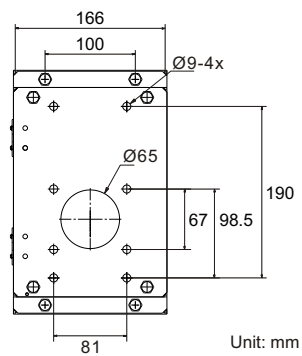
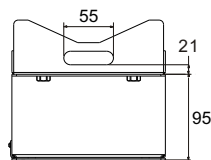
Weight 2.0 kg / 4.4 lbs



**POLE MOUNT — SY-CM-PMB**

Dimensions (L x W x D) 270 x 166 x 155 mm / 10.62 x 6.53 x 6.10"



Weight 3.2 kg / 7.1 lbs



Unit: mm

# Camera Specific Accessories

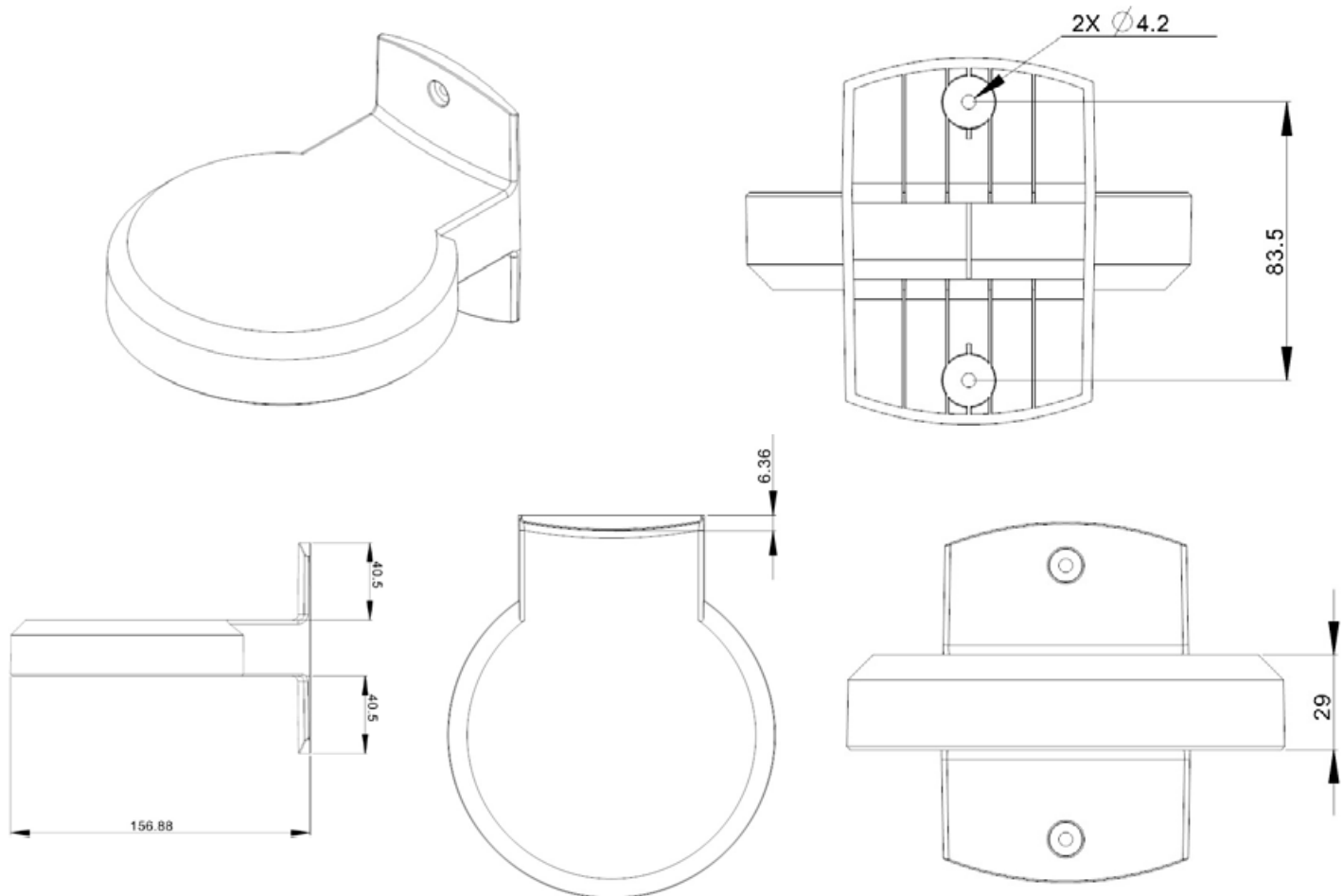
## 2MP Low Light IP PTZ Internal Dome Camera Specific Accessories (SY-PTZ30-LLZ)

ITEM	PART CODES	
Internal PTZ Pendant /Wall Bracket Adaptor*1	SY-PTZ-A	
Internal PTZ In Ceiling Mount	SY-PTZ-ICM	

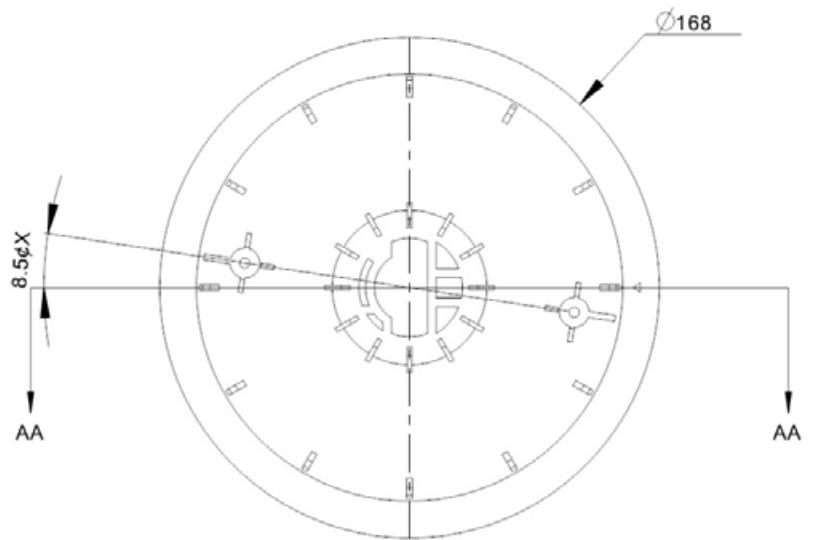
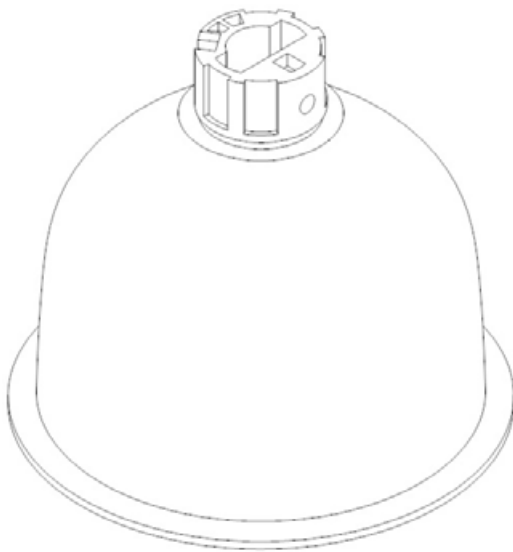
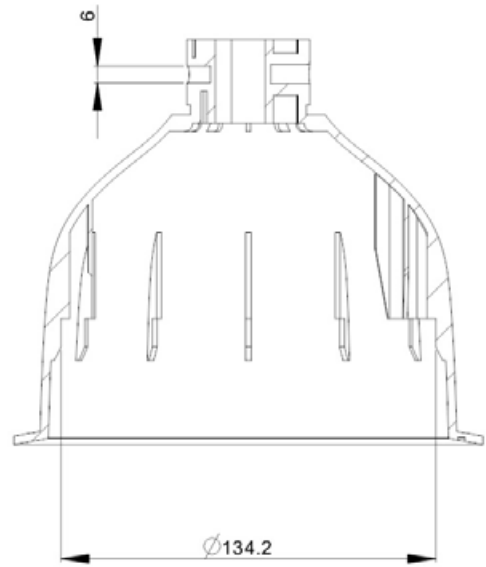
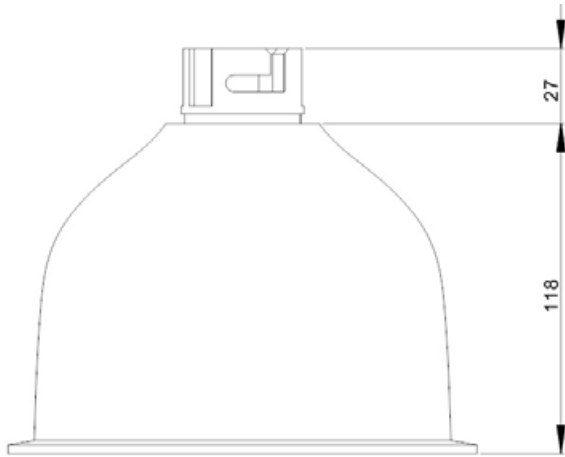
\*1 This part comes standard on outdoor PTZ and therefore does not need to be ordered separately.

## 2MP Low Light IP Vandal Resistant Dome Camera Accessories and Diagrams (SY-VRD3-LLX)

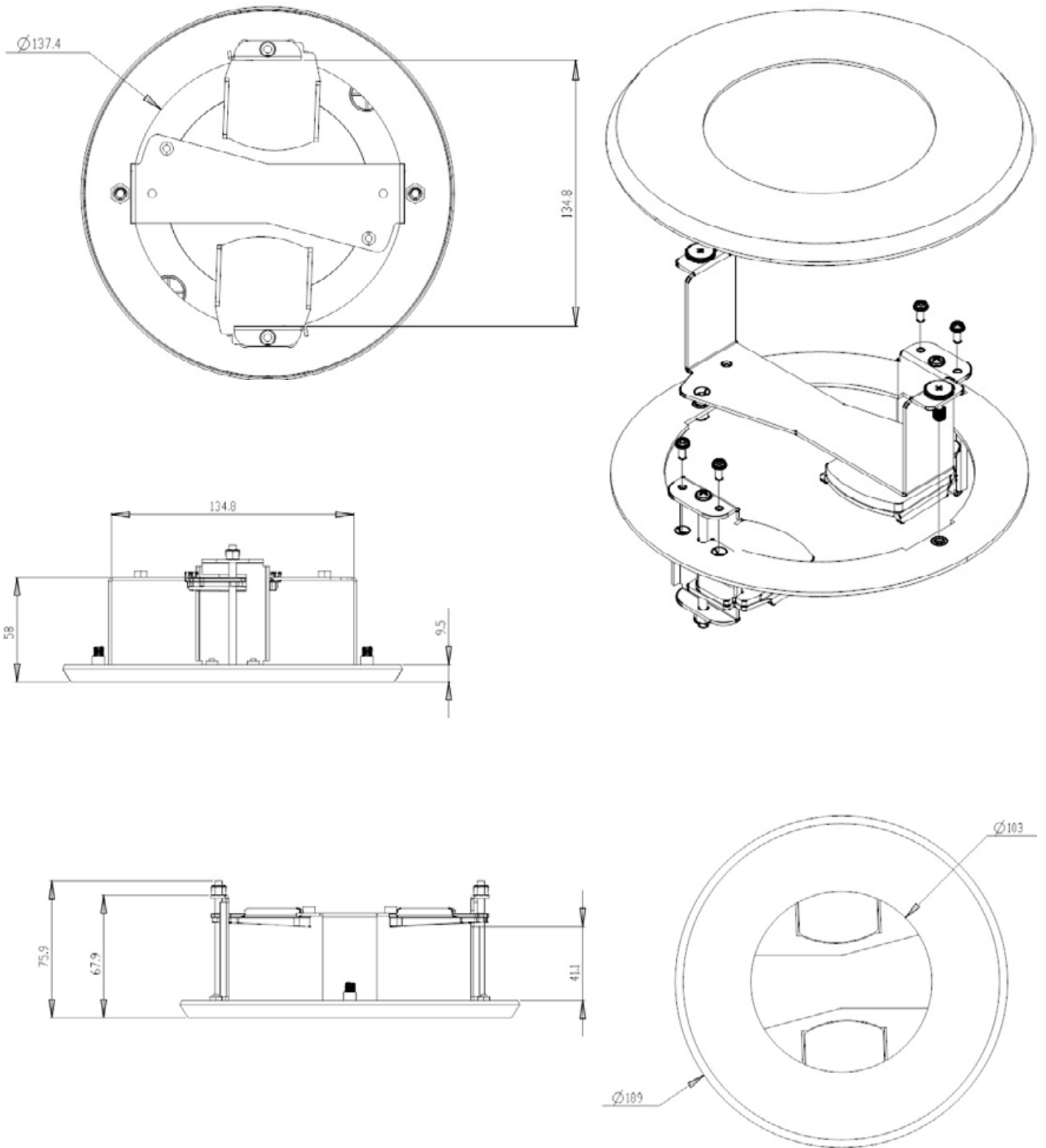
### VANDAL RESISTANT DOME WALL MOUNT — SY-VRD-WM



VANDAL RESISTANT DOME ADAPTOR — SY-VRD-A

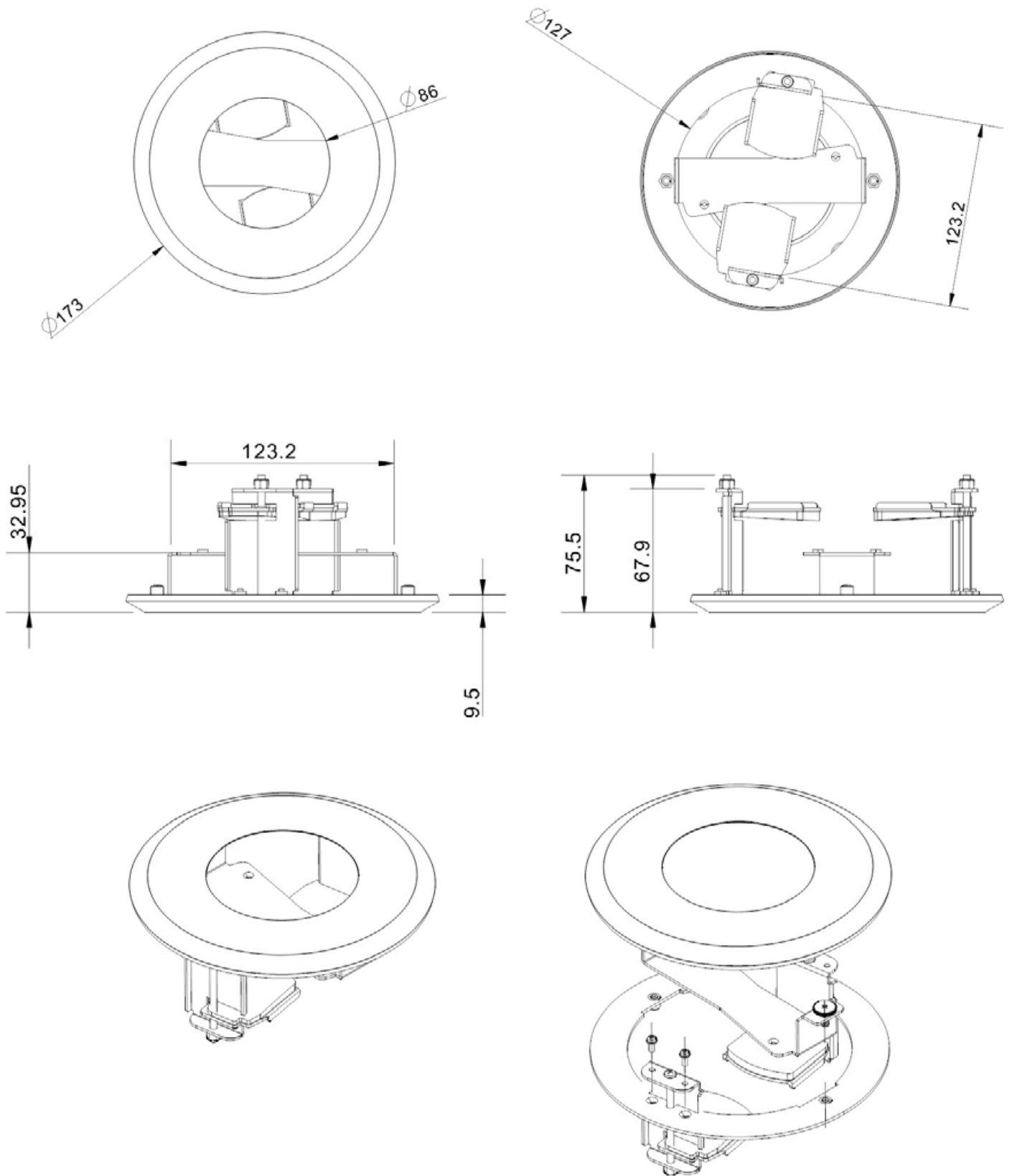


VANDAL RESISTANT DOME IN CEILING MOUNT – SY-VRD-ICM



## Fish Eye Accessories and Diagrams (SY-FEE-XYZ)

### IN CEILING MOUNT — SY-FEE-ICM





WALL MOUNT BRACKET — SY-FEE-WM

